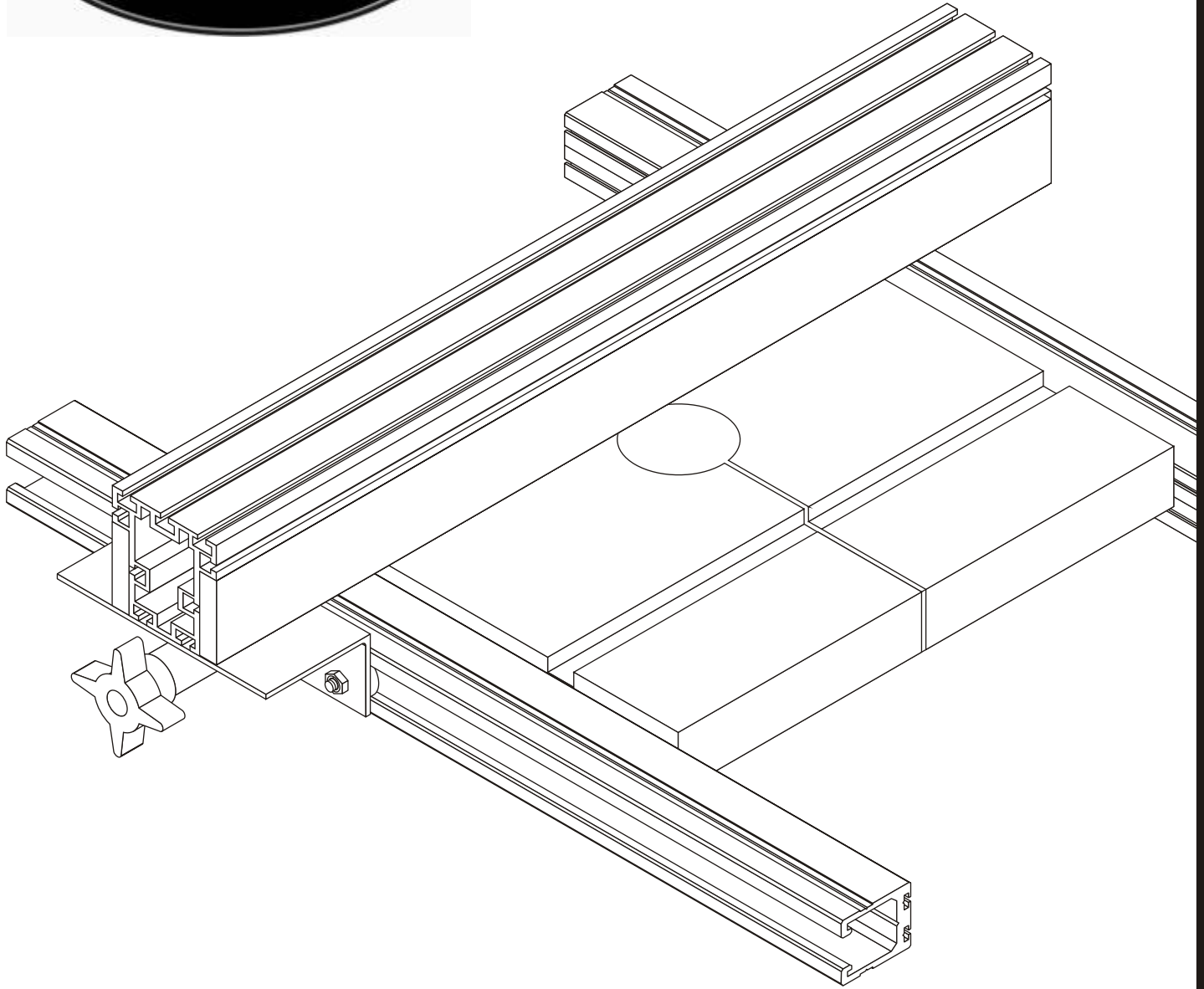




INSTRUCTION MANUAL



Peachtree Woodworking Supply, Inc.

3250 Oakcliff Industrial Street

Atlanta, GA 30340

www.ptreeusa.com



The EZ SQUARE BAND SAW FENCE

Table of Contents

TABLE OF CONTENTS	1
SAFETY GUIDELINES	2
PARTS DIAGRAM	3
ASSEMBLE THE FENCE CARRIAGE	4
INSTALLING THE FENCE RAILS	5-6
INSTALLING THE FENCE CARRIAGE	7
MOUNTING THE FENCE TO CARRIAGE	8
INSTALLING THE REAR FENCE BRACKET	9
ADJUSTING FENCE PARALLELISM	10
ADJUSTING FENCE VERTICAL SQUARE	11



EZ SQUARE BAND SAW FENCE GUIDE LINES

Thank you for your purchase of the EZ Square Band Saw Fence. The EZ Square Band Saw Fence has been designed to fit virtually any band saw and installs in a few minutes.

Woodworking projects can be fun and rewarding, however safety comes first. Please read and follow the safety instructions that come with your fence and band saw before starting any projects.

WARNING: Failure to obey these warnings could lead to serious injury.

- 1. Read, understand and follow all the operating instructions provided with your band saw.**
- 2. Read, understand and follow all the instructions provided with this fence system.**
- 3. Always disconnect power from the saw before performing maintenance , repairs, bade adjustments, blade replacement and the initiation of this fence system to prevent injury from accidental power up.**
- 4. Keep all factory guards in place when installing this fence system.**
- 5. Insure that there is actuate working room around your saw free from trip hazards.**
- 6. Always wear safety glasses and hearing protection while working with power tools.**
- 7. Be sure to keep hand and fingers a safe distance away from blade while it is turning.**
- 8. Always support long boards on both the infeed and out feed side of your saw.**

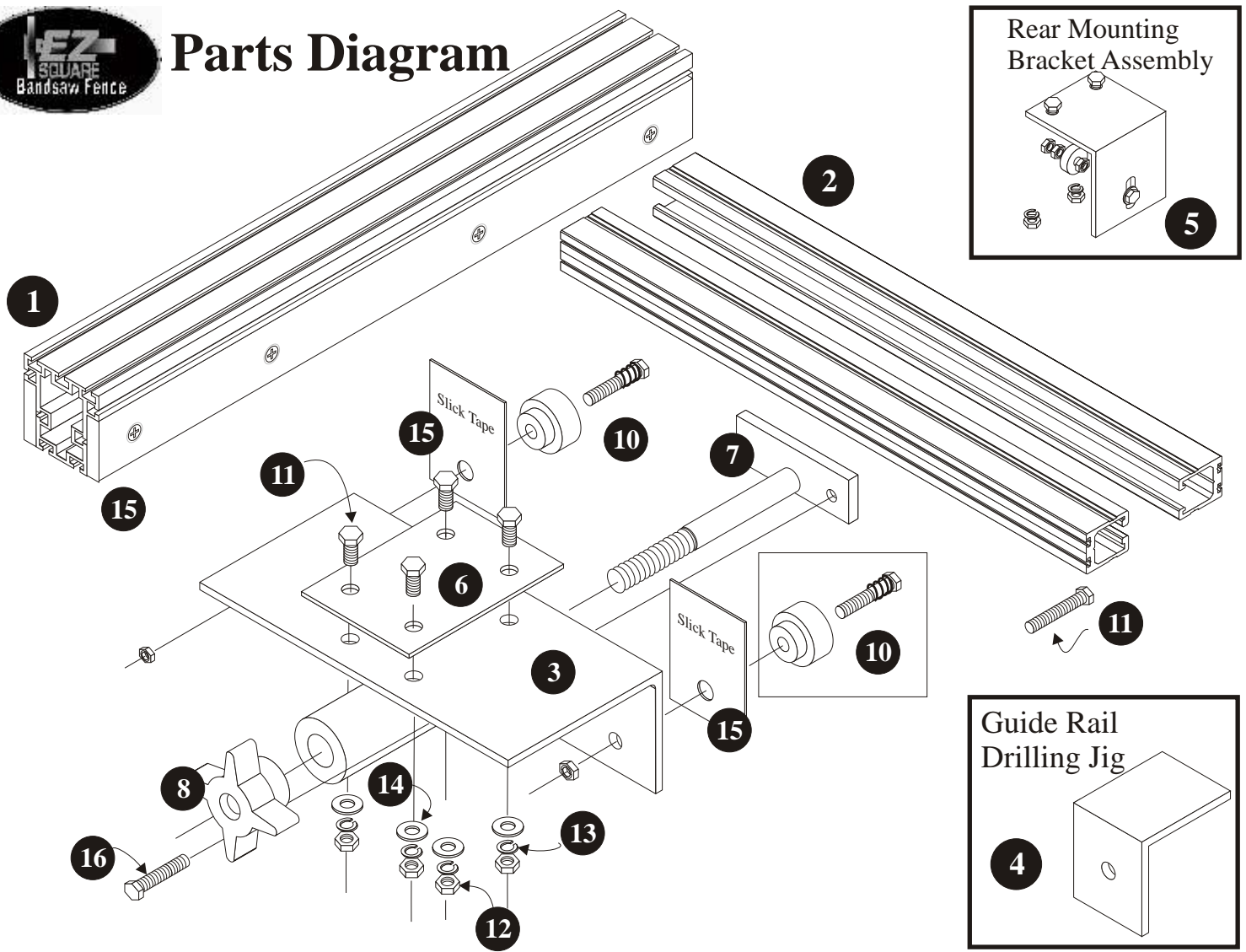
WARRANTY

Your EZ Square Band Saw Fence comes with a 30 day money back guarantee. If your are not completely satisfied, simply return it to us with the original packaging along with a copy of the receipt, and we will be happy to issue a refund for the purchase price paid. If you have any questions with the installation of your fence please call us at 770-458-5539.

Peachtree Woodworking Supply, Inc. employees, officers, authorized distributors and retailers will not be held responsible for damages or injuries resulting from the misuse or improper installation of this product.



Parts Diagram



Part Number	Quantity	Description
1	1	24" Band Saw Fence
2	2	24" Fence Guide Rails
3	1	Fence Mounting Bracket
4	1	Guide Rail Drilling Jig
5	1	Rear Fence Mounting Bracket Assembly
6	1	Fence Spacer
7	1	Locking Bar
8	1	Locking Knob
9	2	1/4" x 3/4" x 20 TPI Bolt (Rear Bracket)
10	2	Roller, Spring and Bolt
11	9	1/4" x 1" x 20 TPI Bolts
12	15	1/4" Nut
13	6	1/4" Lock Washer
14	6	1/4" x Flat Washer
15	2	Slick Tape
16	1	1/4" x 1 3/4" x 20 TPI Locking Bar Guide Bolt



Assemble The Fence Carriage

Step 1

Attach the two Sticky Tapes (Part # 15) to the Fence Carriage Pads (Part #3).

Step 2

Install the Rollers, Springs, and 1/4" Bolts (use the 1/4" bolts that are only partially threaded) the non threaded portion of the bolt is were the Spring goes.(Part #10) as shown in the assembly drawing below. Secure with 1/4" nut (Part #12).

When installing the Roller, Spring and Bolt (Part #10) as one assembly, screw the bolt with the Roller and spring through the Carriage (Part #3) until there is approximately 3/8" thread showing through the Carriage and secure with a 1/4" nut (Part #12) on the Locking Knob side of the Carriage Bracket.

Step 3

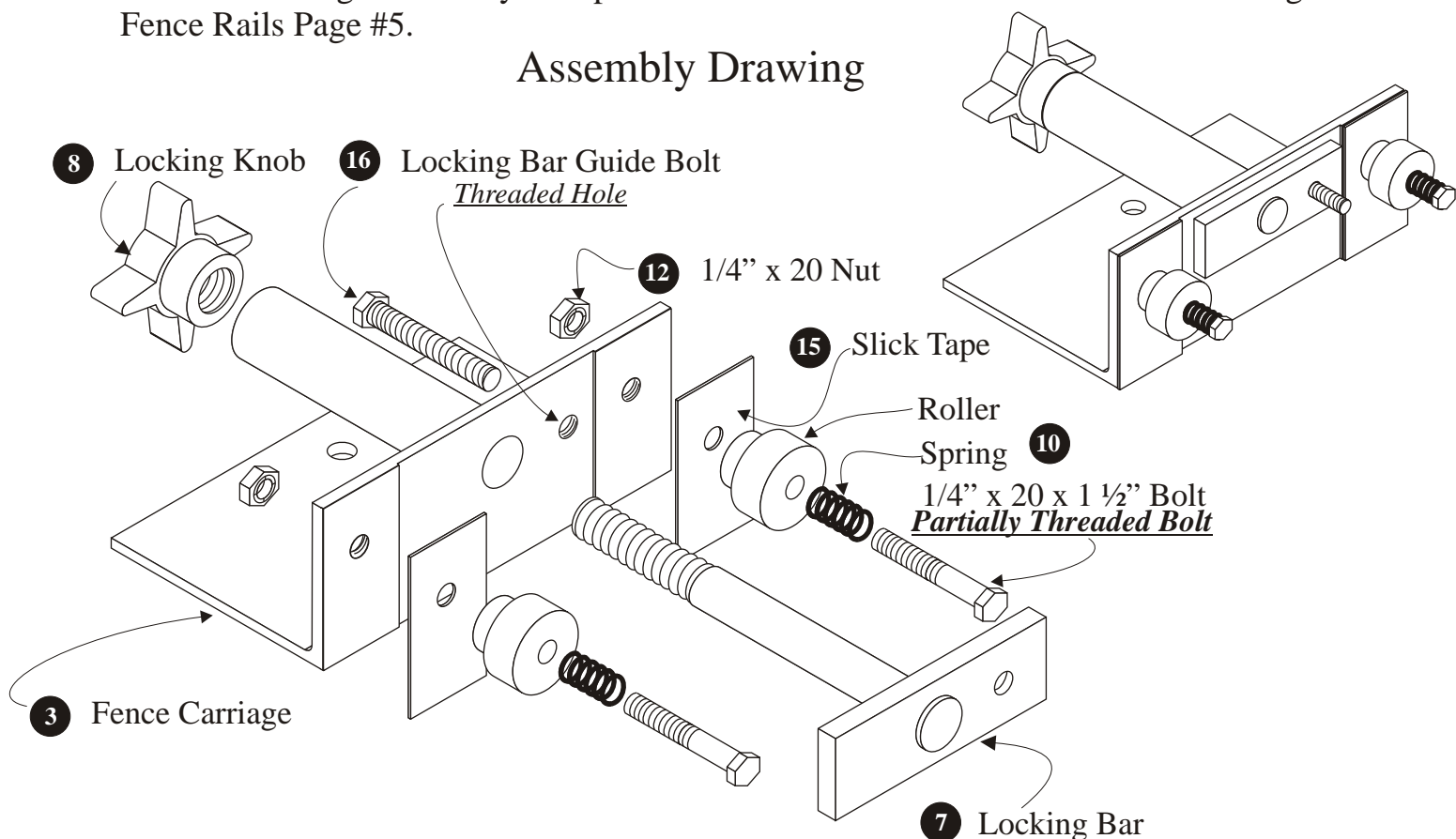
Screw the Locking Bar Guide Bolt (Part #16) through the threaded hole in the Fence Carriage (Part #3) and tighten the bolt head fully to the Fence Carriage. This bolt prevents the Locking Bar from swiveling.

Step 4

Slide the Locking Bar (Part #7) through the hole in the Carriage (Part #3) while guiding the guide hole over the Locking Bar Guide Bolt (Part # 16) secure the Locking Guide Bar in the Fence Carriage with the Locking Knob (Part #8).

With the Carriage Assembly Complete set it aside for now and continue to Installing the Fence Rails Page #5.

Assembly Drawing





Installing the Fence Rails

Step 1

Remove any existing band saw fence and all of its mounting hardware.

Step 2

Thoroughly clean the band saw top to include the underside of the front and back edges.

If the holes in your band saw table do not line up with the hole in the Guide Rail Drilling Guide (Part #4) you will have to do the following step.

Step 3

If the holes in your band saw table do not line up with the hole in the Guide Rail Drilling Guide (Part #4) you will have to do the following step.

Using the Guide Rail Drilling Jig (Part # 4) mark the locations to be drilled for the four (4) Rail Mounting Bolts (Part #11), as follows:

(A) From the front right corner on the in feed side of the band saw table top, place the drilling guide with the hole side against the edge of the top 1" to 2" in from the edge of your table. Mark the 1/4" hole location with a pencil or scribe as shown in (Figure#1). Inspect the back side of the location you just marked to insure there is no casting rib or obstruction which would prevent the placement of the bolt, washer and nut through the edge of the top for mounting the Fence Rails.

(B) Using a hand power drill and a 1/4" drill bit, drill through the table top edge at the marked location.

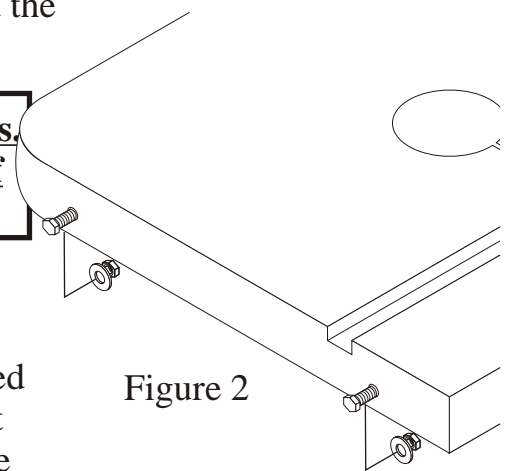
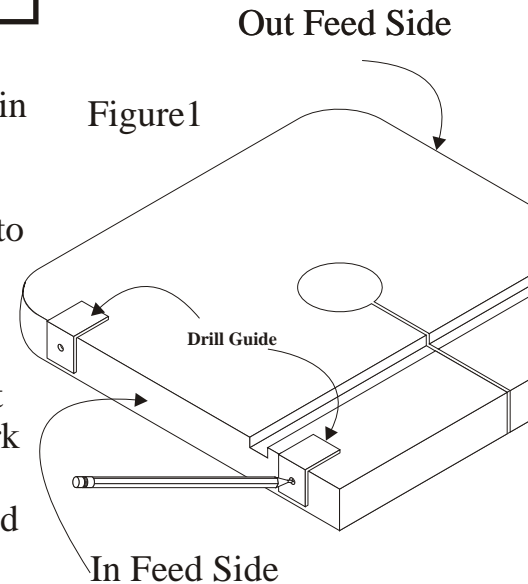
(C) Repeat the above procedure for left side of your table and the rear mounting bolts on the out feed side of your table.

Note: Check the back side of each drilled hole for burrs. Remove any burrs with a file to prevent false locking of washer and nut.

Step 4

Install the four (4) 1/4" x 20 x 1" bolts, flat washer and 1/4" locking nut through the holes drilled in the in feed and out feed table edges with bolt head to the out side edge. Leave the bolt loose with about 1/4" of threads showing to the out side of the table see (Figure 2). If your edge of your table is thicker than 1/4" you may need to use longer mounting bolts.

Note: The bolts must be left loose to allow for the Fence rails to slide on.





Installing the Fence Rails Continued

Step 5

Install the Saw Fence Rails by sliding the Rails (Part #2) on the 1/4" bolt heads using the top t-track slot as shown in Figure #3. Position the Rails so that they are approximately center to the table top, and even front to back. (Figure 4)

Check to see that the front and back Fence Rails are slightly below the bottom of the miter gauge slot. (Figure #5). Tighten the four (4) nuts from the back edge of the table top to secure the rails in place.

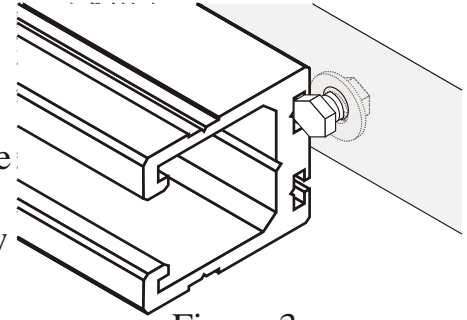


Figure 3

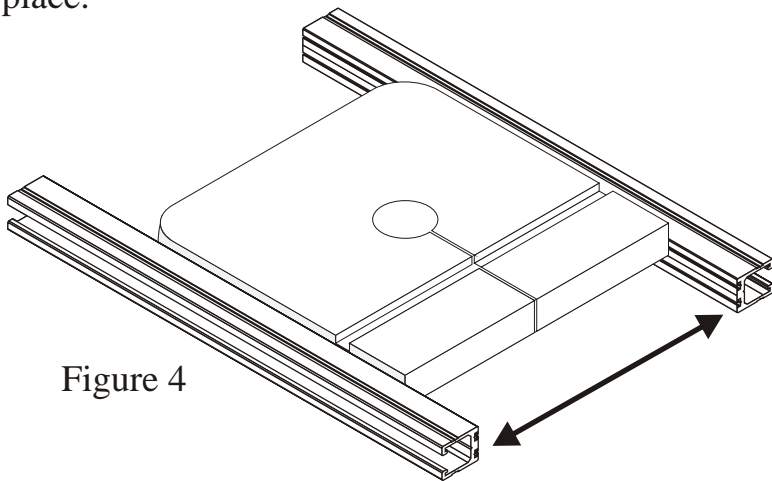


Figure 4

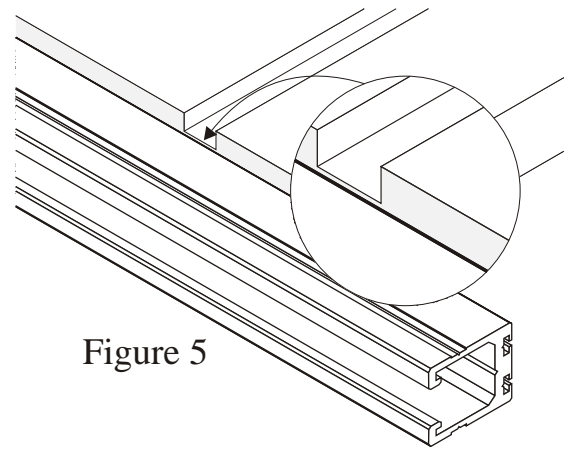


Figure 5

The EZ Square Fence Rails can be adjusted together left to right to give more cutting width on either side of the blade (Figure 6 & 7) or separately to offset one rail to the other. (Figure 8)

To adjust the rails, loosen the nut on both Fence Rail bolts just enough to move the fence. Move the rail to the desired position then tighten the locking nut.

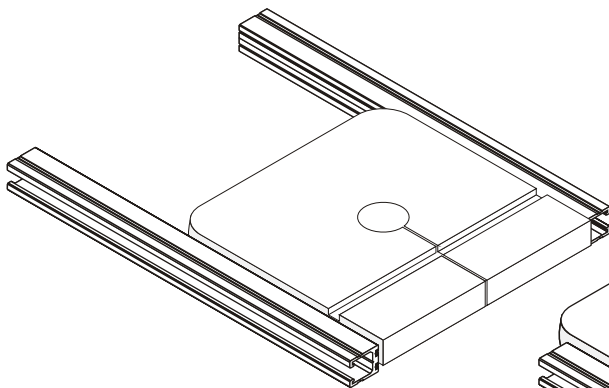


Figure 6

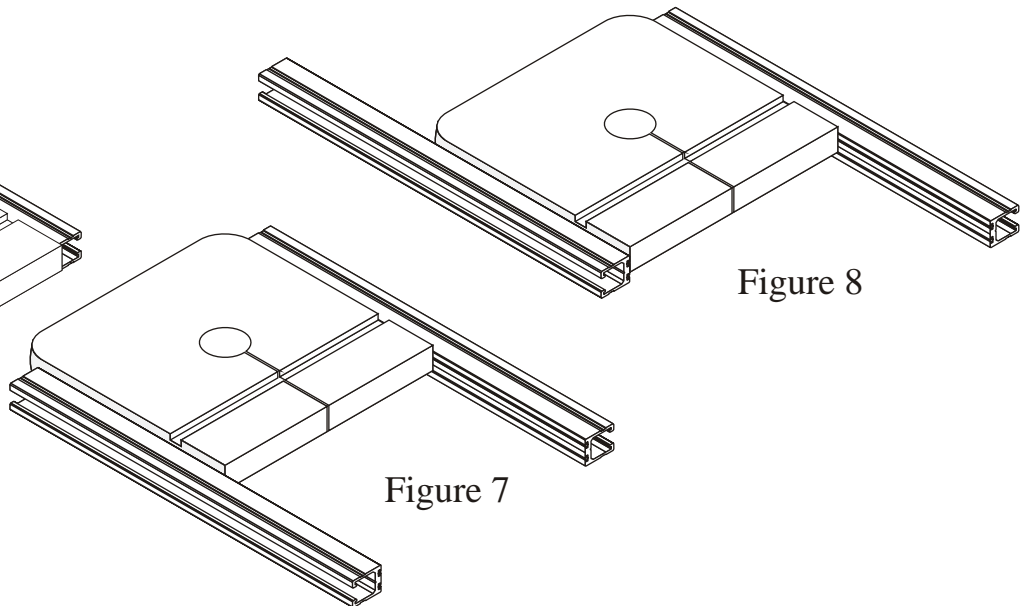


Figure 7

Figure 8



Installing the Fence Carriage

Step 1

The Fence Carriage (figure #9) can be installed from either end of infeed side fence guide rail, this will allow you to use the fence on the left or right side of the blade. To install the Fence carriage pull the spring loaded roller (Part #10) back towards the bolt head as you insert the roller in the Fence Rail. (Figure 10). then guide the Locking Bar into the fence rail opening followed by the second spring loaded roller (be sure that the Locking Bar Guide Bolt (Part # 16) is aligned with the hole in the locking bar) Lock the fence carnage in place by turning locking knob. (Figure 11)

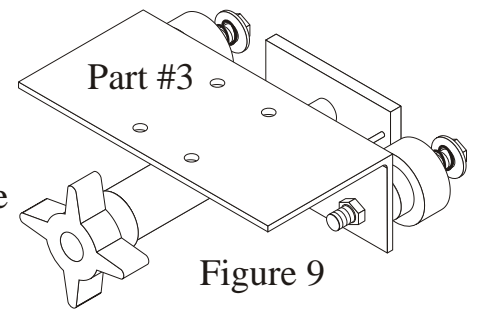


Figure 9

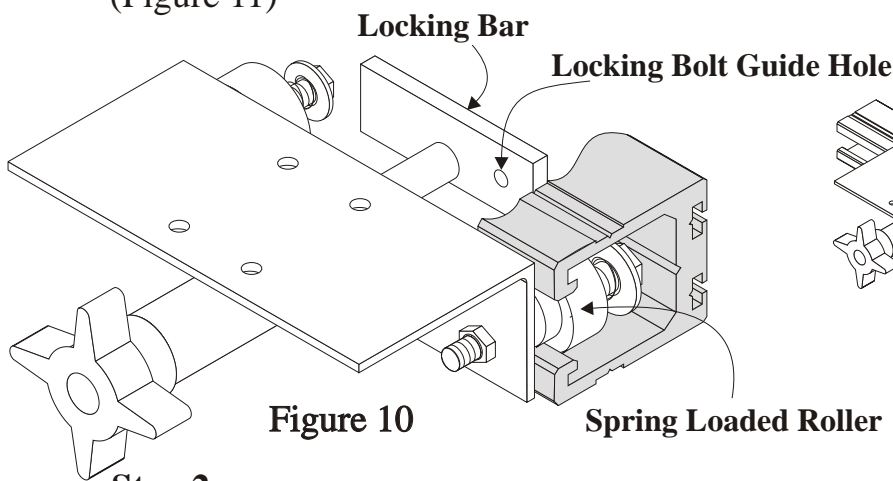


Figure 10

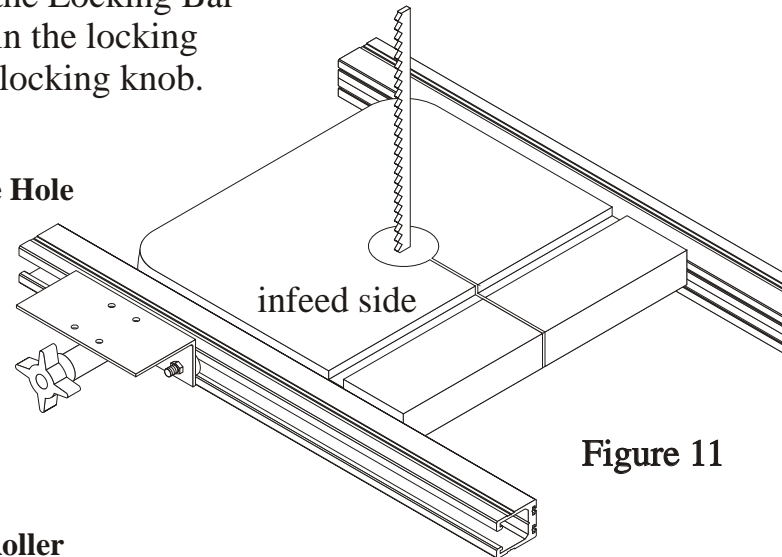
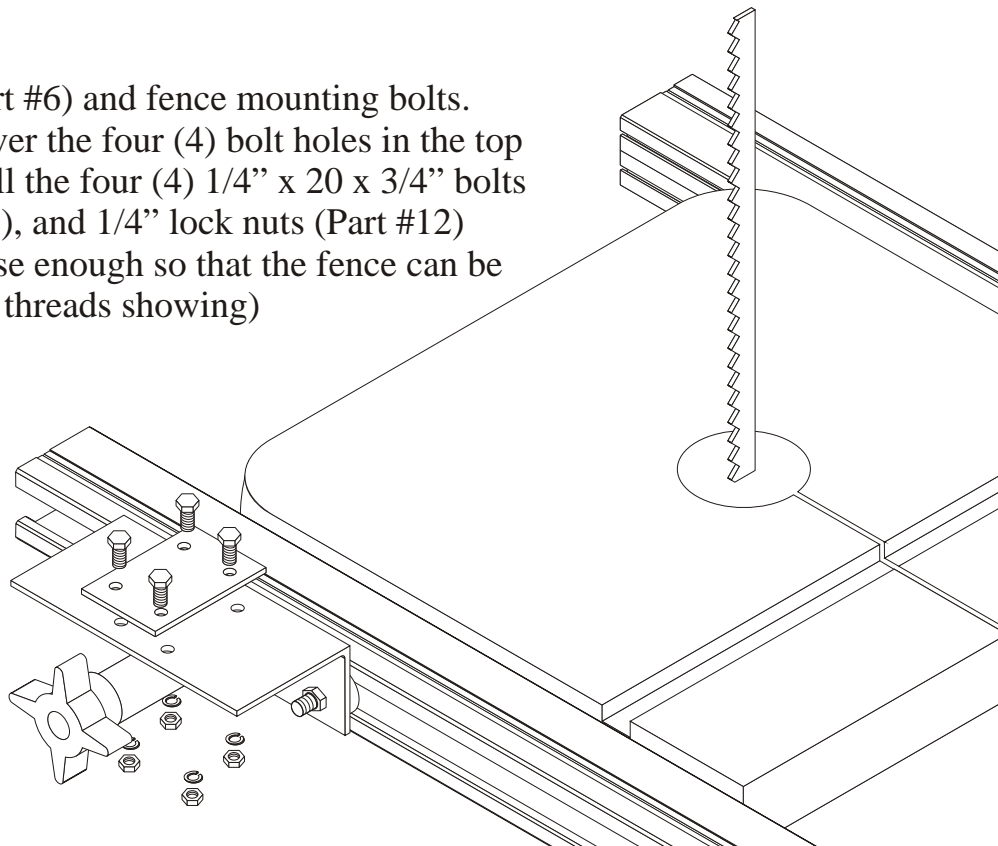


Figure 11

Step 2

Install the Fence Spacer Pad (Part #6) and fence mounting bolts. Position the Fence Spacer Pad over the four (4) bolt holes in the top of the Fence Carriage, then install the four (4) 1/4" x 20 x 3/4" bolts (Part #9), lock washers (Part #13), and 1/4" lock nuts (Part #12) heads up. Leave the lock nut loose enough so that the fence can be slid onto the bolts (about 3/8" of threads showing)





Mounting the Fence To the Carriage

Mount the Fence to the Fence Mounting Bracket (Part #3) by first laying the fence on the table top and position the fence so that the t-slots on the bottom edge of the fence align with the four (4) mounting bolts on the Fence Carriage. (Figure 12 & 13) Lift the bolts up from the bottom as you slide the Fence onto the four the bolt heads. Position the Fence so that the end of the Fence is even with the edge of the Fence Carriage. (Figure 14) Snug the four (4) bolts from the bottom so that Fence is just tight enough not to move on the Fence Carriage. You will tighten bolts fully after fence alignment.

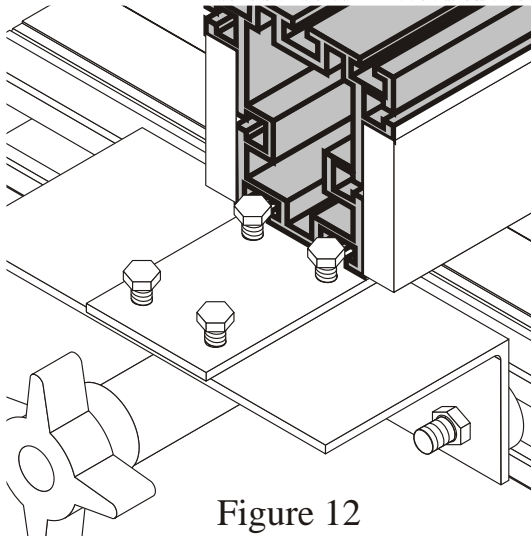


Figure 12

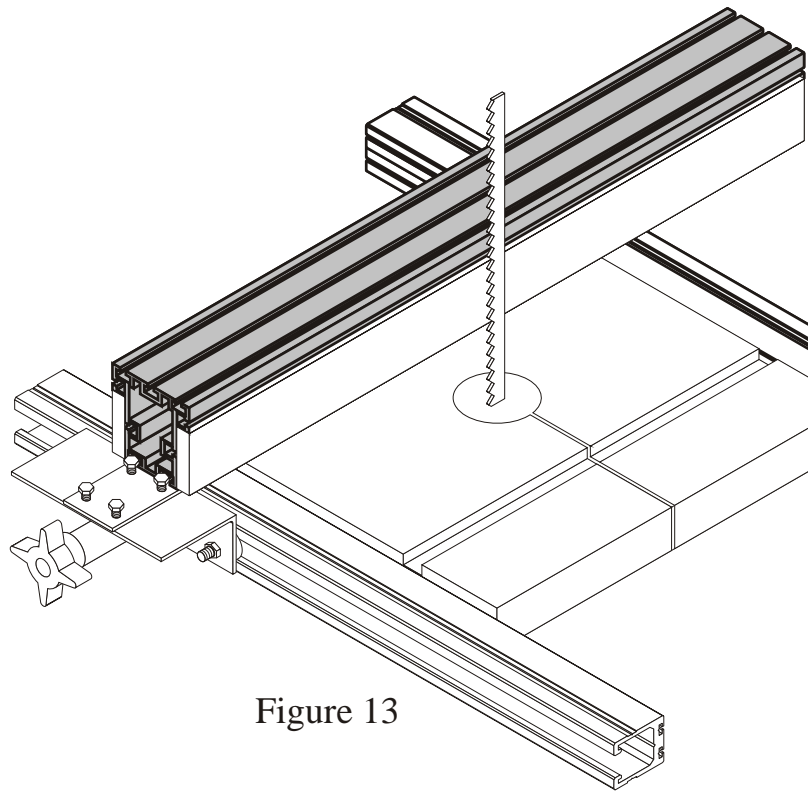


Figure 13

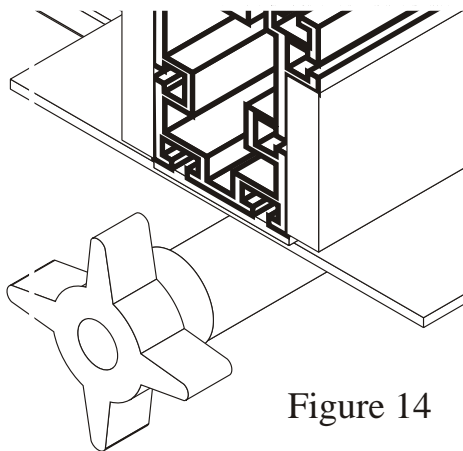


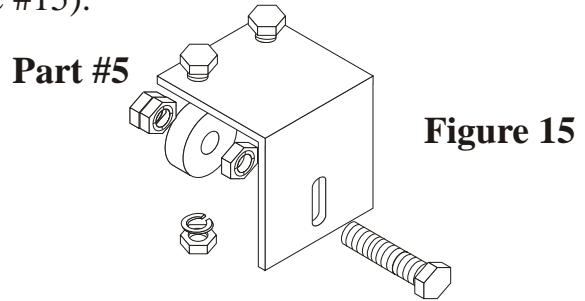
Figure 14



Installing The Rear Fence Bracket

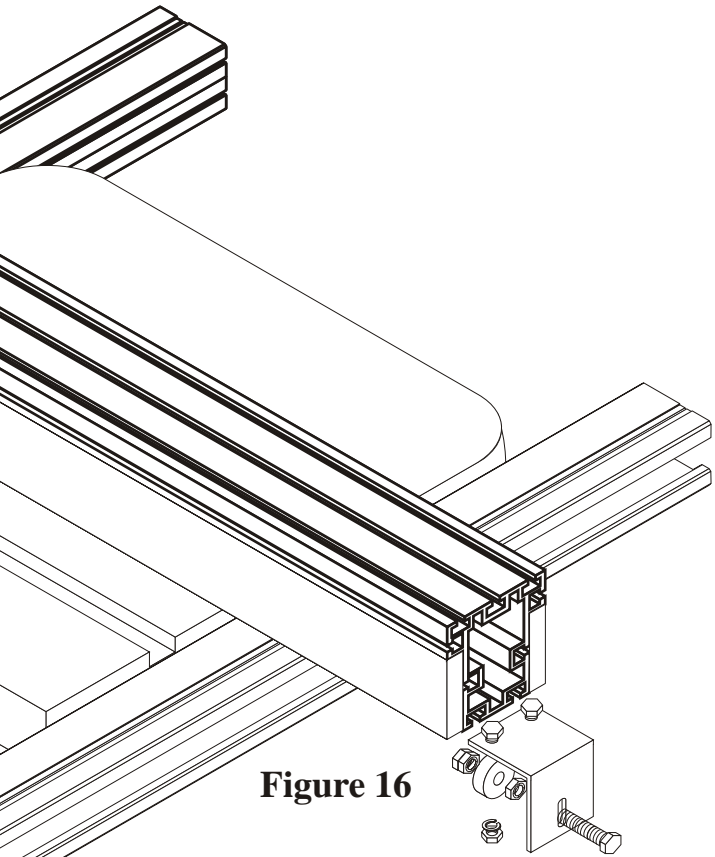
Step 1

Assemble the Rear Mounting Bracket as shown in (Figure #15).



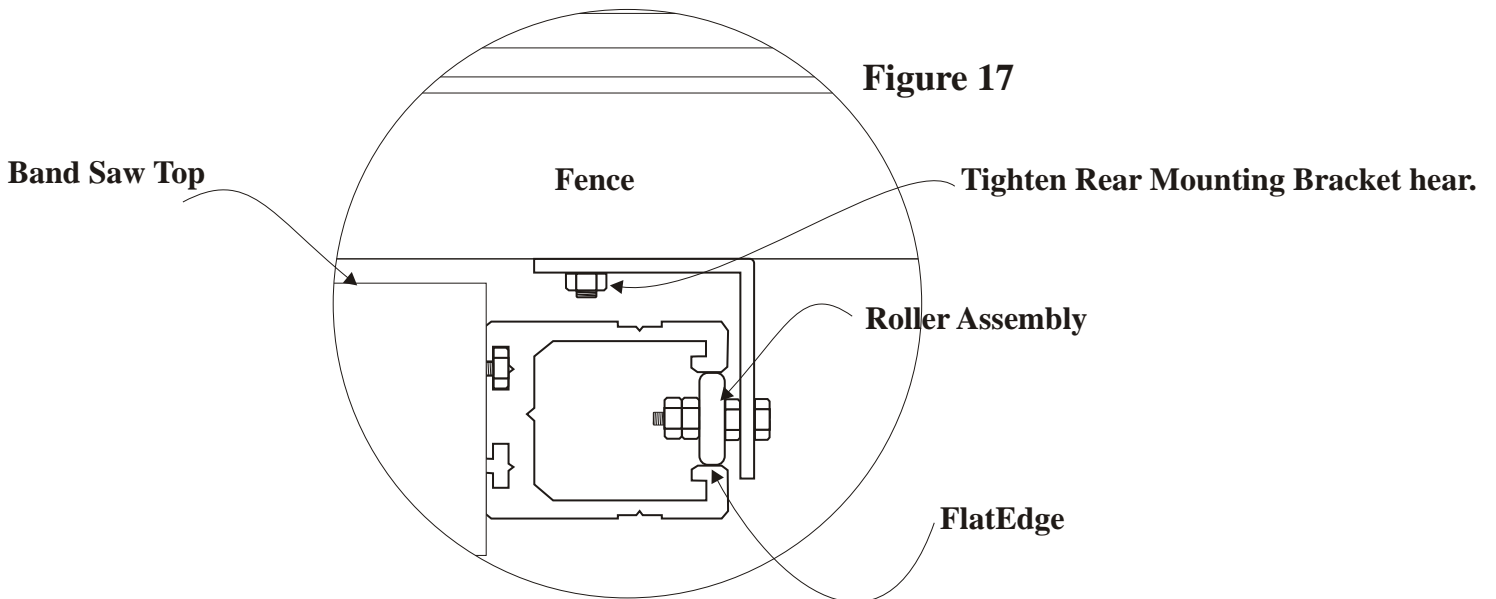
Step 2

Install the Rear Mounting Bracket Assembly (Part # 5) as shown in (Figure 16) by sliding the two mounting bolt heads in the T-tracks on the bottom of the fence then slide the Assembly towards the Rear Fence Guide Rail (Part #2) until the roller is positioned within the Fence Rail as shown in (Figure 17). Adjust the Roller Assembly by losing the 1/4" bolt and nut then position the Roller so that it runs on the flat edge of the fence rail. Tighten the Rear Mounting Bracket Assembly (Part # 5) with the 1/4" nuts under the bottom of the fence.



Step 3

Move the fence both right and left to insure you have smooth operation. If the fence binds adjust the Rear Mounting Bracket (Part # 5) at the location of the bind and recheck the fence movement.





Adjusting Fence Parallelism

Adjusting Fence Parallelism

To adjust the fence parallel to the saw blade and miter slot adjust the fence using the four mounting bolts which mount the fence to the fence mounting bracket (Part #3) in the following manner:

1. Loosen 3 of the four bolts from under the Fence Mounting Bracket (Part #3). By leaving one bolt tight the fence will now pivot on that bolt.
2. Using a square check the fence alignment as shown in (Figure 18). Move the Fence from the far end right or left to bring the fence even with the blade of the square. With the Fence aligned to the square tighten all four Fence mount Bolts.

Check the fence movement right and left for smooth movement and adjust the rear Fence Mount Bracket as need. (see Installing The Rear Fence Bracket Page 8)

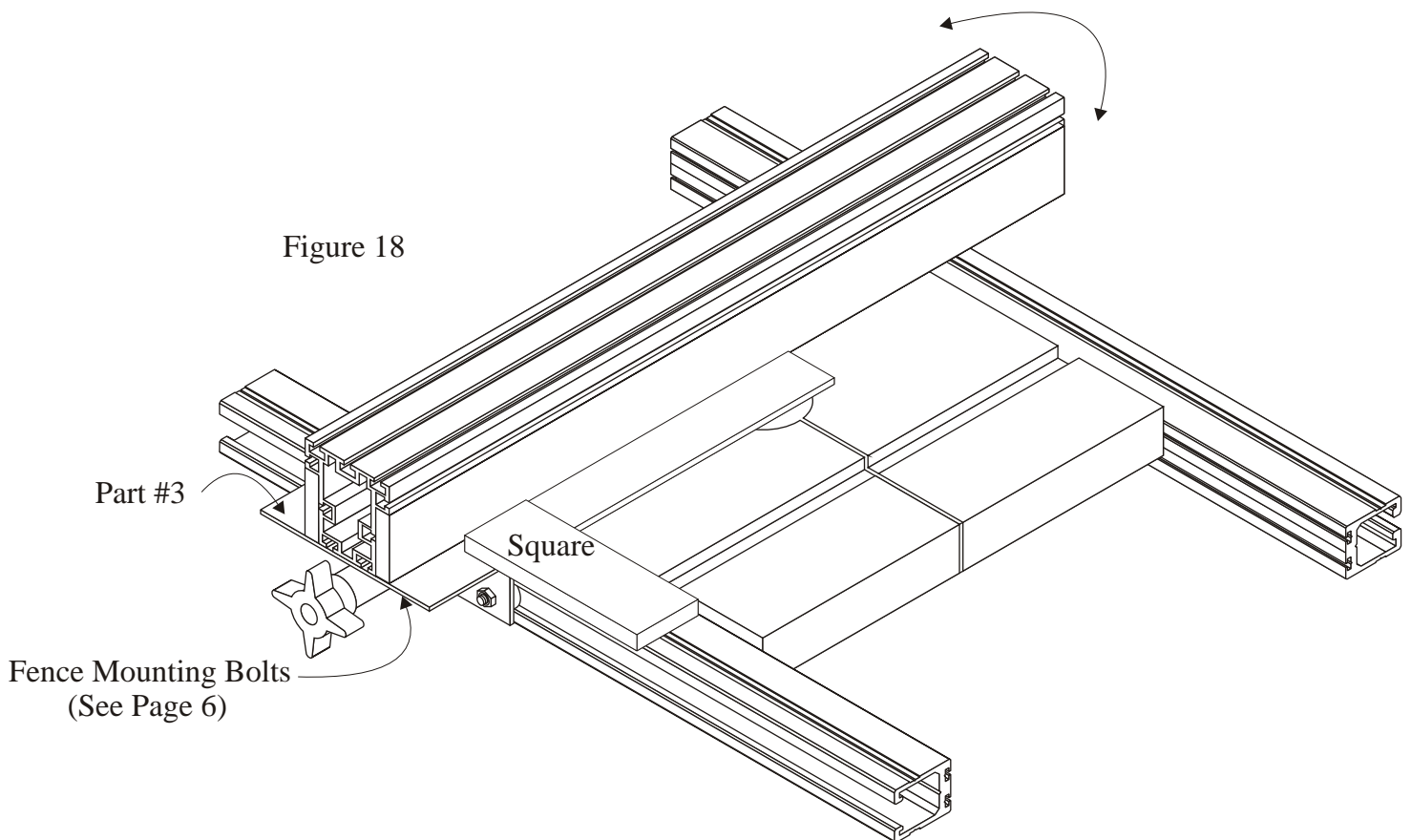


Figure 18

Part #3

Square

Fence Mounting Bolts
(See Page 6)



Adjusting Fence Vertical Square

Adjusting Fence Vertical Square

To adjust the fence vertical square to the saw table shim the fence with thin washers between the Fence bottom and the Fence Spacer (Part #6)

1. Using a square check the fence square as shown in (Figure 19). Shim as needed on the right or left or right hand bolts to bring the Fence square.
2. Check the fence movement right and left for smooth movement and adjust the rear Fence Mount Bracket as need. (see Installing The Rear Fence Bracket Page 8)

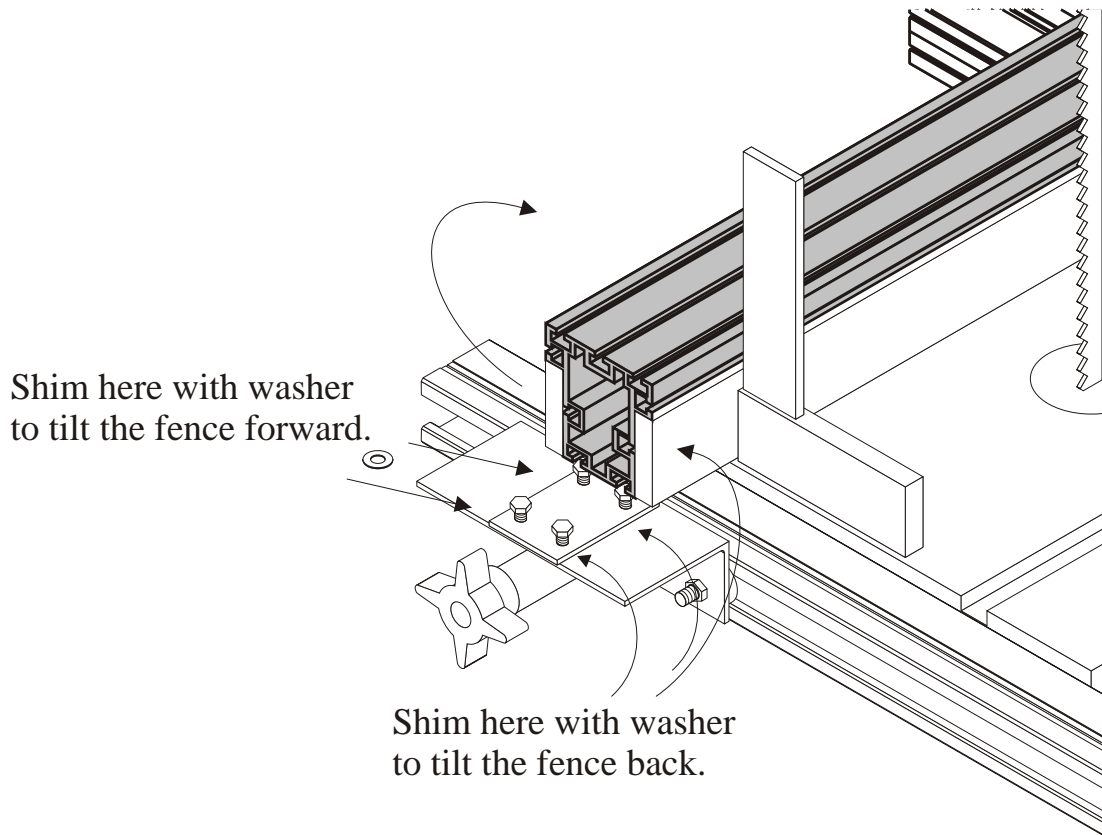


Figure 19